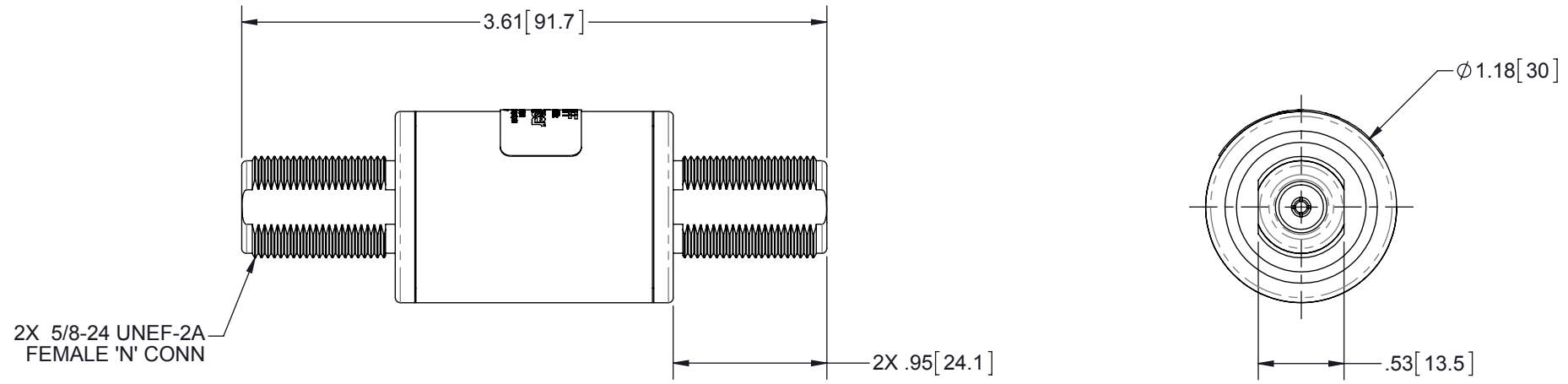
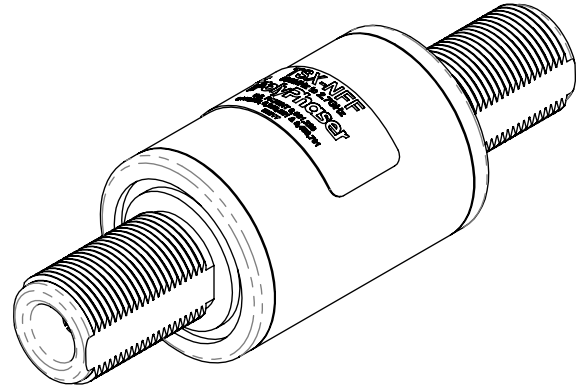


REVISIONS				
REV.	DESCRIPTION	ECN	DATE	APPROVED
E	REFER TO ECN	12864	9/9/14	JJ



MAXIMUM CHARACTERISTICS

APPLICATION:
 DC SHORT/RF ONLY (NO POWER SUPPLY PROVISIONS)
 BULKHEAD MOUNT BI-DIRECTIONAL
 WEATHERPROOF WHEN INSTALLED

FREQUENCY RANGE:
 698MHz TO 2.7GHz @ -26dB RETURN LOSS

MAX SURGE:
 IEC 61000-4-5 8/20µs WAVEFORM
 40kA MAX
 20kA MULTIPLE

INSERTION LOSS:
 ≤0.1dB

CONTINUOUS POWER:
 500W @ 920MHz
 (750W @ 50°C)

LET THROUGH VOLTAGE:
 ≤±200mV FOR 3kA @ 8/20µs WAVEFORM

THROUGHPUT ENERGY:
 ≤5nJ FOR 3kA @ 8/20µs WAVEFORM

TEMPERATURE:
 -50°C TO +85°C STORAGE/OPERATING

VIBRATION:
 1G @ 5Hz TO 100Hz

MATERIAL:
 BODY: TRI-PLATED BRASS
 PTFE: DIELECTRIC
 CENTER PINS: TRI-M

ENVIRONMENTAL:
 MEETS IEC 60529 IP67 WHEN CONNECTED
 MEETS BELLCORE #TA-NWT-000487
 PROCEDURE 4.11, 120MPH WIND DRIVEN
 RAIN INTRUSION TEST

CE COMPLIANT
RoHS COMPLIANT

HARDWARE KIT INCLUDES:

QTY	DESCRIPTION
1	NUT 5/8-24 303 HEX SS
1	WASHER 5/8 410 SS
1	SILICONE O-RING 019

CUSTOMER APPROVAL: _____ DATE: _____

ALL DIMENSIONS SHOWN ARE FOR REFERENCE ONLY.

THESE COMMODITIES, TECHNOLOGY OR SOFTWARE WERE EXPORTED FROM THE UNITED STATES IN ACCORDANCE WITH THE EXPORT ADMINISTRATION REGULATIONS. DIVERSION CONTRARY TO U.S. LAW PROHIBITED.

UNLESS OTHERWISE SPECIFIED LEADING DIMENSIONS ARE INCHES DIMENSIONS IN [] ARE MILLIMETERS	DRAWN	RD	DATE	02/09/2012	PolyPhaser		
	ENG APPD	JJ	5/15/12				
TOLERANCES: FRACTIONS=± 1/32 .XX=± .03 ANGLES=± 1° .XXX=± .010	PRODUCT MGR	CP	5/15/12	TITLE			
	MARKETING APPD	LJ	5/15/12	BI-DIRECTIONAL BROADBAND DC SHORT FILTER 'N'			
MATERIAL	PROJECT NO.		CUSTOMER SPECIFICATION				
THIRD-ANGLE PROJECTION	NOTICE: THE INFORMATION AND DESIGN IN THIS DOCUMENT IS THE PROPERTY OF TRANSECTOR SYSTEMS. ALL RIGHTS RESERVED.		SIZE	CAGE	PART NUMBER	REV	
			B	30992	TSX-NFF	E	
	SCALE	1:1	PROD CAT	RFP	DOCUMENT NAME	TSX-NFF-C	SHEET 1 OF 1